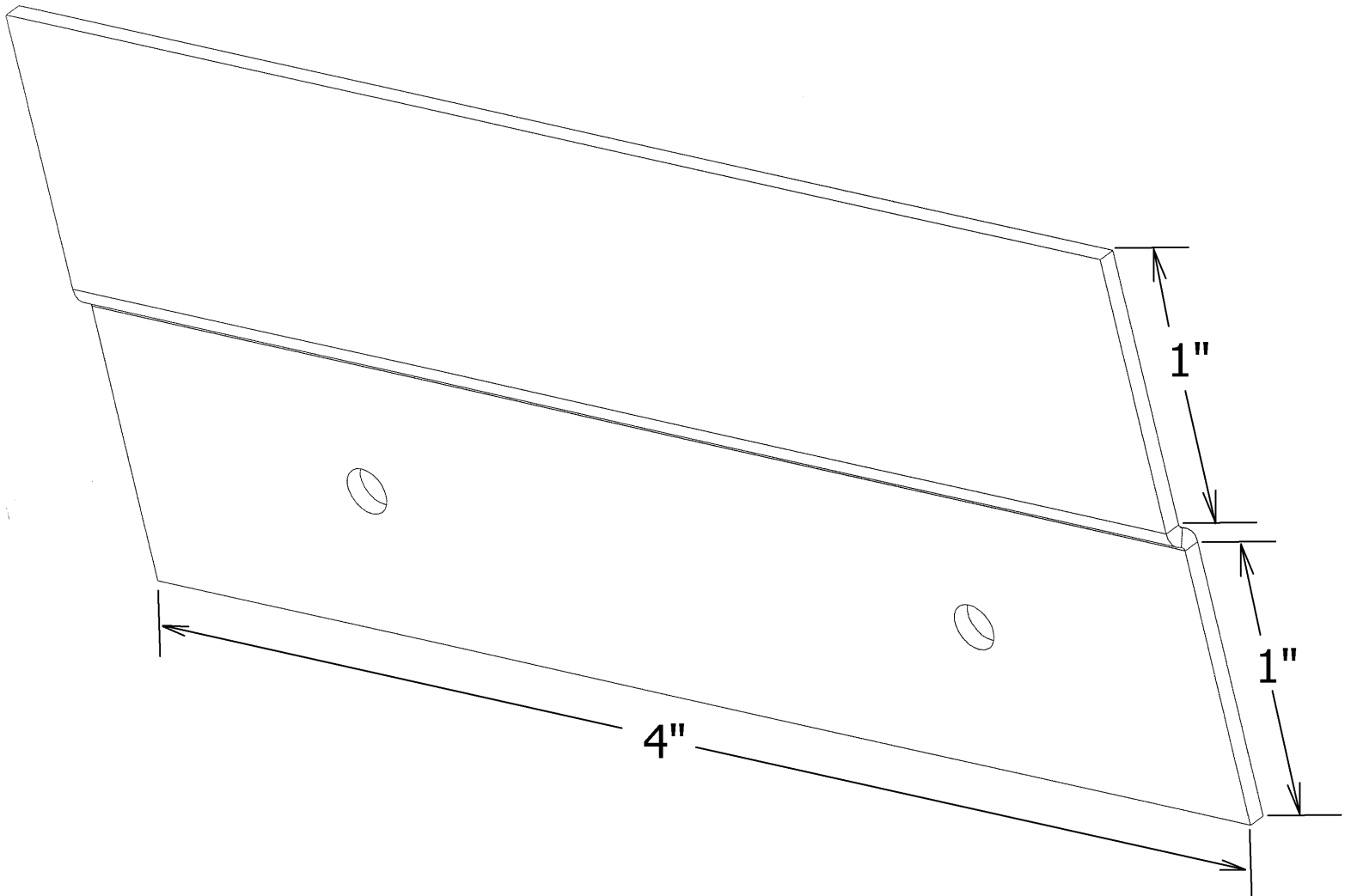


MOUNTING BRACKET DETAIL

FOR INSTALLATIONS WHERE EXISTING ENCLOSURE'S BACKPANEL HAS BEEN REMOVED



1

LOWER SECTION IS MOUNTED TO WALL

2

UPPER SECTION CREATES CHANNEL TO ACCEPT BACK FLANGE ON FACE PANELS